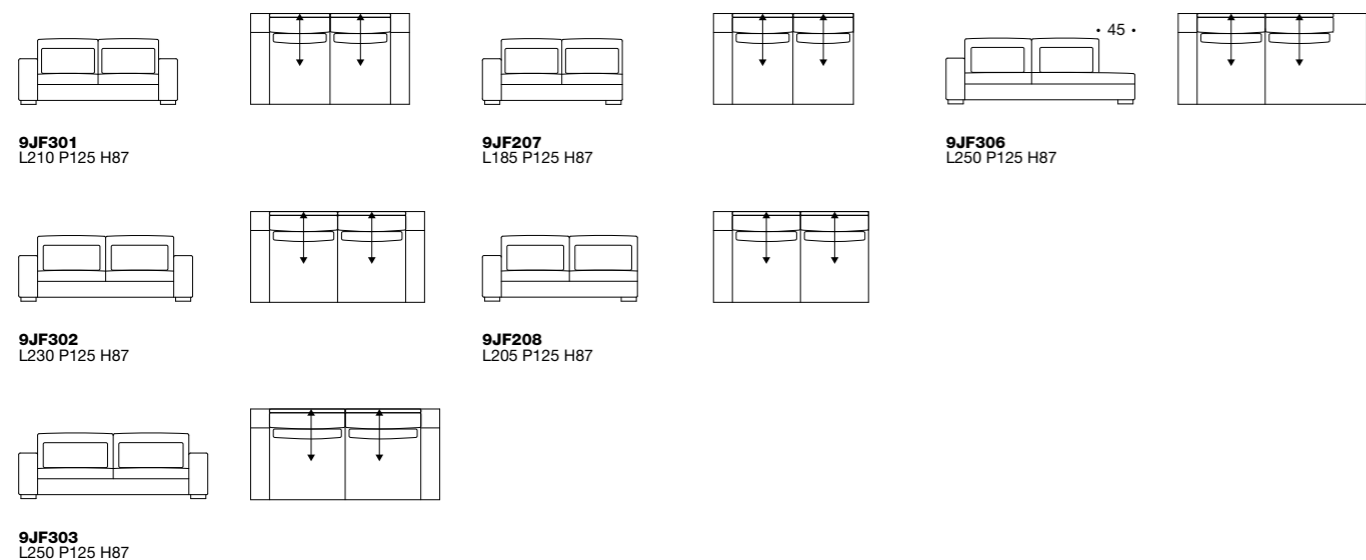


JackMove

Design
Studio Marelli

Divani
Sofas

Elementi componibili
Modular elements



9JF301
L210 P125 H87

9JF207
L185 P125 H87

9JF306
L250 P125 H87

9JF302
L230 P125 H87

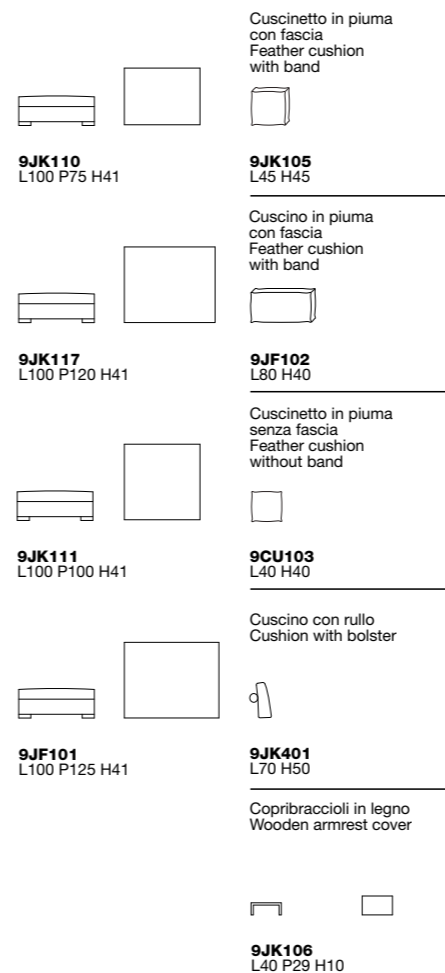
9JF208
L205 P125 H87

9JF303
L250 P125 H87

Gli elementi componibili Jack Move possono essere liberamente combinati con gli elementi di jack 100, 110 e 120 per creare infinite composizioni

The different elements of Jack Move can be combined with the modular elements of Jack 100, 110 and 120 to create several and different compositions

Pouf e accessori
Pouf and accessories



9JK110
L100 P75 H41

9JK105
L45 H45

9JK117
L100 P120 H41

9JK102
L80 H40

9JK111
L100 P100 H41

9CU103
L40 H40

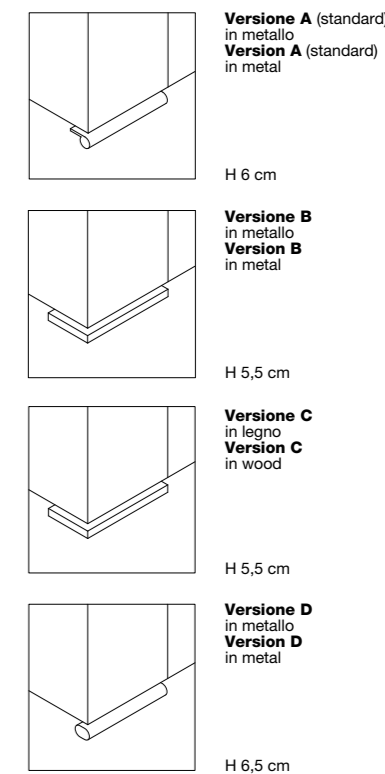
9JF101
L100 P125 H41

9JK401
L70 H50

9JK106
L40 P29 H10

Piedini
Feet

Per le finiture dei piedini consultare le schede dei materiali in fondo al catalogo. Finishes: see colours and finishes at the end of the catalogue.



Versione A (standard)
in metallo
Version A (standard)
in metal

H 6 cm

Versione B
in metallo
Version B
in metal

H 5,5 cm

Versione C
in legno
Version C
in wood

H 5,5 cm

Versione D
in metallo
Version D
in metal

H 6,5 cm

Movimento schienali
Backrest mechanism



Feet code	Polished Chromed Metal OPM1	Matt brushed Metal OPM2	Cherry stained beech OPF1	Wengé stained beech OPF2	Walnut stained beech OPF3	Natural beech OPF4	Black stained beech OPF5	Cherry Milano stained beech OPF6
Version A	●	●						
Version B	●	●						
Version C			●	●	●	●	●	●
Version D	●	●						